

# LUXMAN

NETWORK TRANSPORT  
**NT-07**



# Cutting edge, multiple source music streaming Sophisticated and versatile network transport



LUXMAN's first network transport NT-07.

Combining the latest digital audio technology with LUXMAN's know-how, the NT-07 uses a thoroughly audio-focused approach to curate a wide variety of available sources with superb sound quality and a sophisticated yet comforting operational environment.

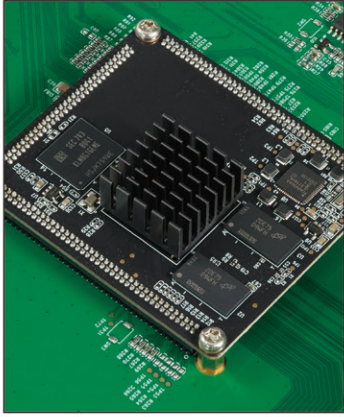
In addition to USB digital audio and HDMI connectivity, streaming data from NAS and other popular music streaming services provide a variety of options for the listener to experience a new dimension of breathtaking audio quality.

The NT-07, which has been rigorously fine tuned for supreme audio playback quality, offers all listeners a new musical experience for the future in combination with existing D/A converters.



# A state of the art music streaming hub dedicated to high quality audio playback

## Transport functions that create an advanced network audio environment



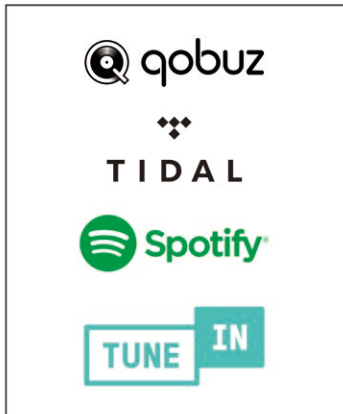
LUXMAN's new NT-07 transport system creates an advanced network audio environment in combination with your D/A converter (USB, optical, or coaxial digital equipped models). The principal sound source options are NAS (Network Attached Storage), which supports the industry standard OpenHome platform, external USB storage directly connected to the main unit and a wide variety of popular music streaming services. The core processing stages are equipped with our latest generation of high-speed application processor modules that handle a wide range of complex functions effortlessly with satisfying operability.

## Stylish enclosure with high-definition organic EL display

The NT-07's USB subsystem supports the sampling frequencies, up to 768kHz/32bit for PCM files and 22.5MHz/1bit DSD data, and the optical/coaxial output achieves 192kHz/24bit PCM reproduction. There is also a built-in core decoding function for MQA format sound sources with three selectable modes, "off", "core decoding" and "pass-through", according to the connected D/A converter. The center of the front panel is equipped with a large, easy-to-read, high-definition EL display, conveying a variety of information such as the name of the song being played, artist name, elapsed time and the audio format of these selected source data.



## High-quality streaming service allow you to freely enjoy a huge amount of music data



A subscription-type music streaming service that allows the listener access to nearly 100 million pieces of music for a fixed monthly fee. The NT-07 has a rich lineup of high-resolution source options and is compatible with Qobuz and TIDAL, which are integrated with the dedicated "LUXMAN Stream" app and Spotify, which has large number of users and algorithm recommendation functions. It also supports TuneIn, which allows you to listen to internet radio and podcast programs from around the world for free.

## HDMI input/output terminals also enable digital audio import from video sources

The NT-07 has an HDMI input for digital audio signals from Blu-ray players, game consoles, etc. as a means of importing audio from video sources into a 2-channel audio environment with ARC support that can also play audio from a connected TV. The HDMI output terminal provides 2-channel playback with 192kHz/24bit PCM encoding. By adding the NT-07, you can easily create a high-quality living audio system that can be used with any source, from network-based sound sources to live video and movie viewing, without disrupting your established listening style or existing system configuration.



## Large-capacity power supply with thorough noise reducing countermeasures



Like all LUXMAN's audio components, the NT-07 is designed with a high-quality audio focused approach. The power supply section is equipped with a large capacity, OI-type power transformer and a pair of custom made 10,000uF filter capacitors. Our typical, highly regulated power supply circuitry boasts high noise suppression and stability.

## Simple server function with full-fledged audio dedicated NAS and USB

Compatible with the OpenHome standard, the NT-07 can read sound source data stored on a dedicated music server or network attached storage (NAS), with supreme quality playback. By choosing an NAS with noise suppression and enhanced linear power supply, such as Melco Syncret's DELA which was developed as an audio device, or I-O DATA Equipment's fidata, you can achieve even higher quality and convenience when accessing high resolution audio data. In addition, we have equipped the NT-07 with USB terminals on the front and rear (exclusive use of either) that allows you to connect USB drivers containing audio data without building a network environment.



## Dedicated app and infrared remote control provide a sophisticated operating environment



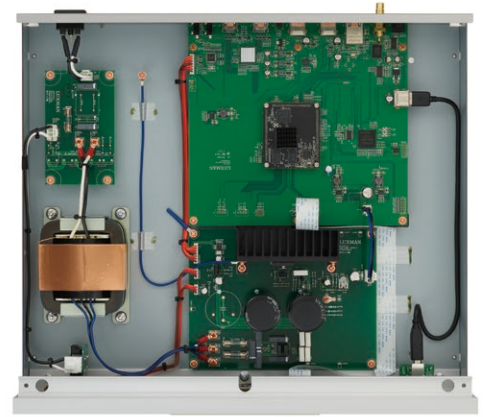
"LUXMAN Stream" is a free control app exclusively for the NT-07 that allows you to operate a variety of functions on a sophisticated screen. A dedicated interface is provided for each smartphone and tablet, allowing you to select audio sources, create playlists and configure various settings for the device. Also included is an aluminum infrared remote control that allows you to perform major operations without launching the app. You can also control the playback of LUXMAN disc players and the volume of an integrated/control amplifier. It is also equipped with control input/output terminals that link remote control operations between compatible devices.

## Supports multiple network playback options including Room and resampling functions

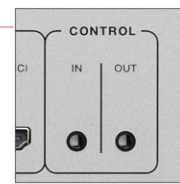
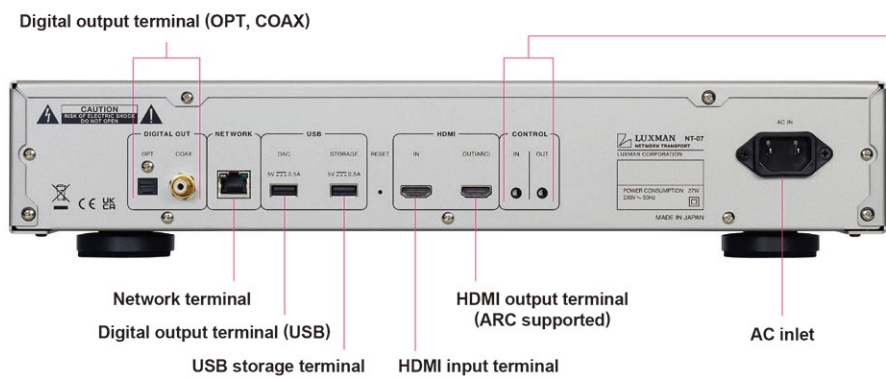
The NT-07 is scheduled to be compatible as an output device (Room Ready) for the popular comprehensive music playback software Room (certification underway as of March 2024). By specifying the NT-07 as the output destination, cast playback is also possible using Apple devices (iPhone/iPad/Mac) or Windows PCs. In addition, our intelligent resampling function matches the sampling frequency and bit depth supported by your connected D/A converter and supports each format from 44.1kHz to 384kHz for PCM data. Individual up/down sampling settings are now possible.







Internal configuration



Control input / output terminal  
Remote control operations can be sent to a compatible LUXMAN product connected via commercially available 3.5mm monaural mini jack cable.



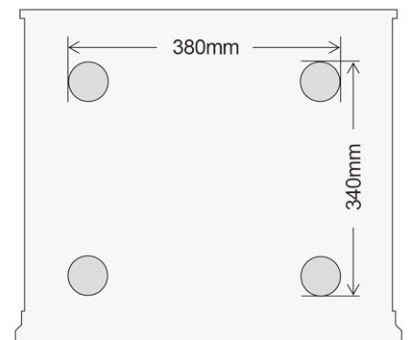
Remote control RC-30

**LUXMAN Stream**

By installing the dedicated app, LUXMAN Stream (free of charge), for smartphones and tablets the listener can configure all operations on this unit, including input source settings, song selection and playback. Search for LUXMAN Stream on the App Store or Google Play and download it according to the OS of your smartphone or tablet.

## SPECIFICATIONS

Digital input	Network : 1000 Base-T (gigabit · ethernet) HDMI : PCM 2 channel, 4K pass-through ARC (Audio Return Channel) supported
Digital output	USB (USB2.0), OPT, COAX HDMI : PCM 2 channel, 4K pass-through ARC (Audio Return Channel) supported
Storage connection	USB x 2 terminals (USB2.0, single partition, FAT32, exFAT, NTFS)
Supported sampling frequencies	USB : PCM 44.1 kHz, 48 kHz, 88.2 kHz, 96 kHz, 176.4 kHz, 192 kHz, 352.8 kHz, 384 kHz, 705.6 kHz, 768 kHz (16, 24, 32-bit) DSD : 2.8 MHz, 5.6 MHz, 11.2 MHz, 22.5 MHz (1-bit) COAX / OPT / HDMI (ARC) : 44.1 kHz, 48 kHz, 88.2 kHz, 96 kHz, 176.4 kHz, 192 kHz (16, 24-bit)
Corresponding format formats	WAV, AIFF, FLAC, ALAC, MQA, MP3, AAC, DSD (DSF, DFF)
Streaming protocols	UPnP (OpenHome), TIDAL Connect, Spotify Connect, Roon Ready (soon to be available)
Power supply	230 V~(50 Hz) / 115 V~ (60 Hz)
Power consumption	27 W (HDMI in/output when connected to USB storage) 5.9 W (HDMI in/output when USB storage is disconnected)
Dimensions	440(W) x 92(H) x 398(D) mm front side display of 3 mm and rear side terminal of 13 mm included in depth
Net weight	10.3 kg (main unit)
Accessories	Remote control (RC-30), Power cable



Insulator position / dimensions

\* Mac, Mac OS, OS X and macOS are trademarks of Apple Inc., registered in the U.S. and other countries. \* Windows is a registered trademark of Microsoft Corporation in the United States and other countries.  
 \* iOS is a trademark or registered trademark of Cisco in the U.S. and other countries and is used under license.  
 \* App Store is a service mark of Apple Inc. \* Android is a trademark of Google Inc. \* Google Play is a trademark of Google Inc.  
 \* DSD is a registered trademark. \* Sound Wave Logo is a registered trade mark of MQA Limited. ©2018 \* MQA is a registered trade mark of MQA Limited. ©2018  
 \* Being Roon Ready means that LUXMAN uses Roon streaming technology, for an incredible user interface, simple setup, rock-solid daily reliability, and the highest levels of audio performance, without compromise.  
 \* Wi-Fi is a registered trademark of Wi-Fi Alliance.  
 \* Other company names, product names, and logo marks listed are trademarks or registered trademarks of each company.  
 \* The product playback screen in this catalog is an image. \* This unit does not support 32bit Float PCM playback.  
 \* Even if the file format, sampling frequency, and quantization bit numbers are supported by this unit, playback may not be possible due to the unique structure of the data.  
 \* This unit does not support the HDMI control function (HDMI CEC) that links multiple HDMI devices.  
 \* We are not responsible for any suspension or cancellation of music streaming services from other companies that are supported by this unit.

## LUXMAN

LUXMAN CORPORATION, 1-3-1 Shinyokohama, Kouhoku-ku, Yokohama-shi, Kanagawa 222-0033, Japan  
 Tel: +81-45-470-6980 Fax: +81-45-470-6997 www.luxman.com  
 LUXMAN reserves the right to alter the design and specifications without notice.  
 All rights reserved LUXMAN CORPORATION



### Safety Cautions

To ensure correct use of this product, read the "Owner's Manual" prior to use. Failure to follow all safeguards can result in fire, electric shock, or other accidents.